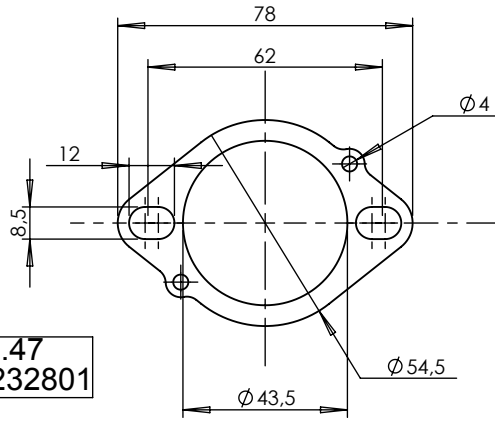
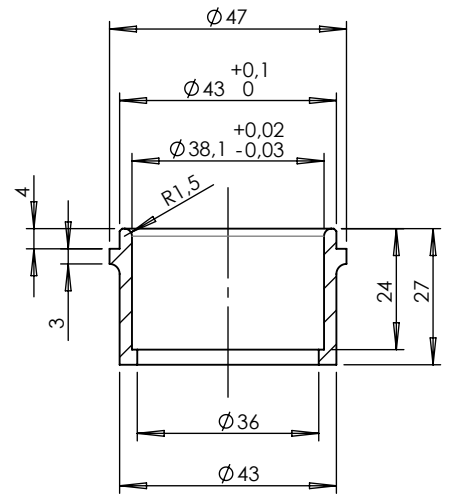


Rubber Cap
Cod. 204790

dB-killer n.47
Cod. 308232801



Gasket $\text{Øe.}23,85 \times \text{Øi.} 18,3$
 $\times h 1,5$ Cod.202185



3 Flange "47D"
Cod. 204448

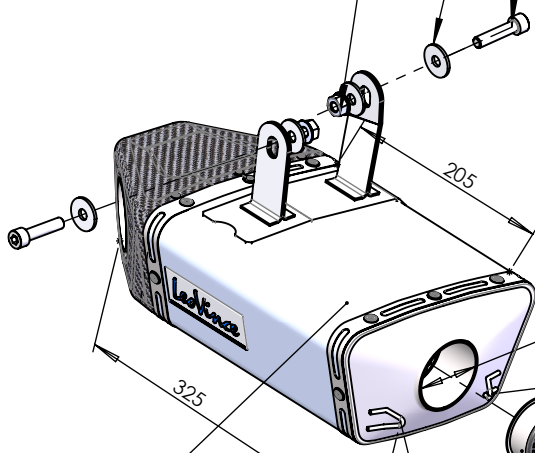
3 INOX busher
Cod.204870

2 Allen screw
M8x40 T.C.E.I. Z.B.
Cod. 200993

4 Plain Washer 8x24
Cod. 200321

2 Knurled nut M8
Cod. 200298

Lambda Plug:
M18 x 1,5
INOX Cod.204888



Underbody Silencer
Cod. 3014156471

8 Short helical spring
tensile
Cod.204387

8 Short tube in
silicon rubber
Cod.204412

DB-Killer n°57
Cod.308078804

Pipe 3 in 1
Cod.3014156201

Pipe n°3 (DX) Inox
Cod.3014032203

Pipe n°2 Inox
Cod.3014032202

Pipe n°1 (SX) Inox
Cod.3014032201

Art. 14156 YAMAHA XSR900 ('16)

Impianto completo 3/1 UNDERBODY - Passaggio STANDARD
OMOLOGATO "EVOLUTION II"