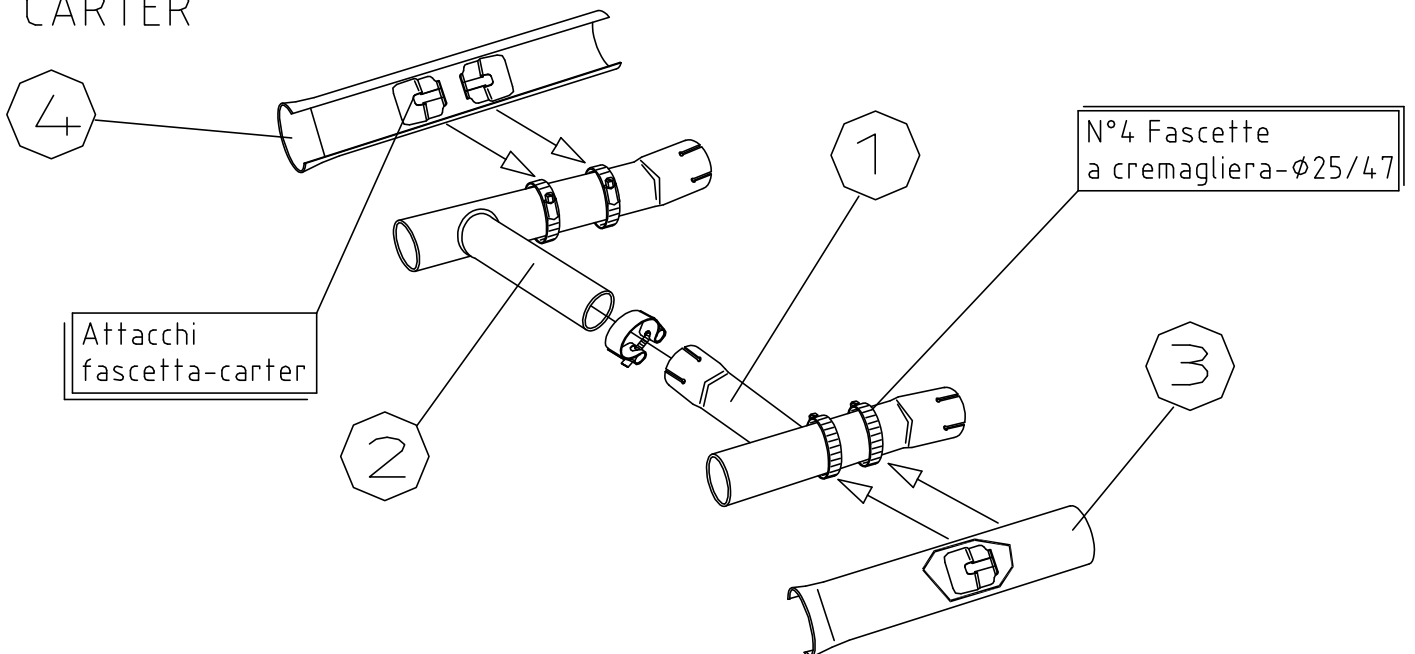


SCHEMA DI MONTAGGIO
CARTER



ART.2204 SUZUKI VS GL 1400 INTRUDER
 Silvertail <<K02>> RACING