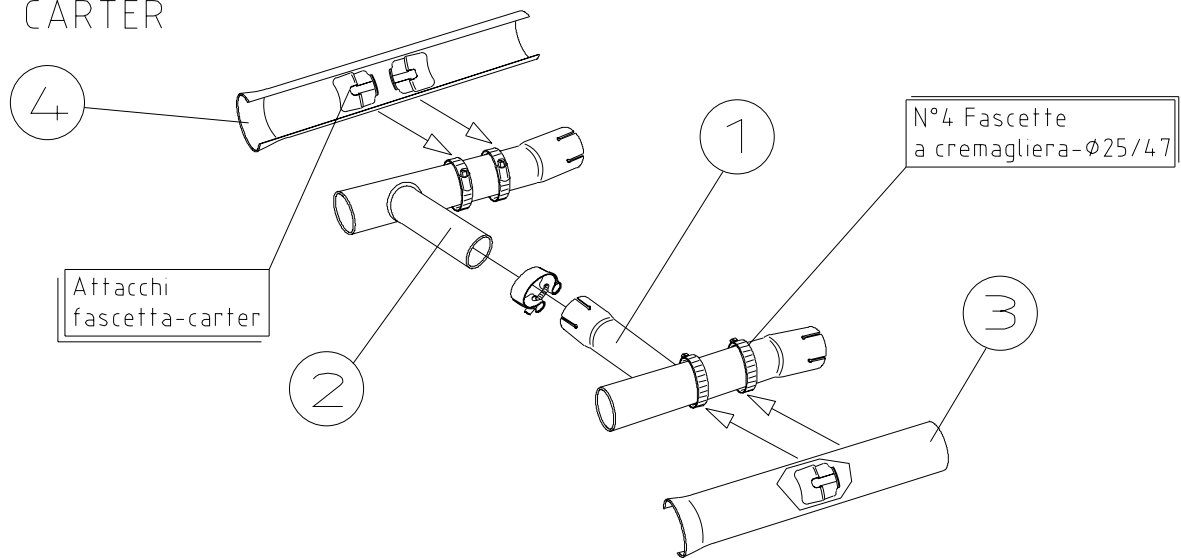


SCHEMA DI MONTAGGIO
CARTER



ART.2206 SUZUKI VS GL 750/800 INTRUDER
 Silvertail <<K02>> RACING