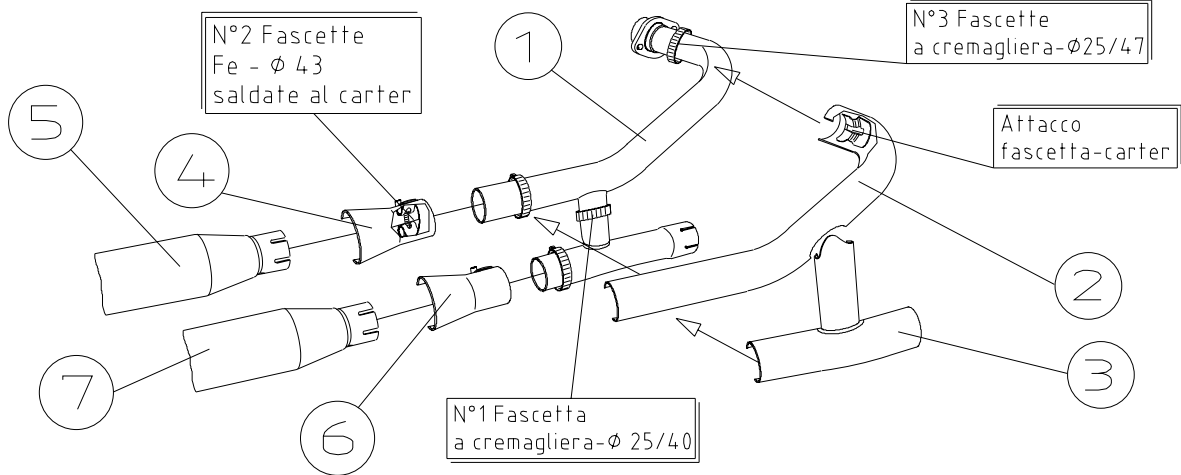


SCHEMA DI MONTAGGIO CARTER



ART.2210 YAMAHA XVS 650 DRAG STAR CLASSIC ('98-'00)
YAMAHA XVS 650 DRAG STAR ('97-'00)
Silvertail <<K02>> RACING