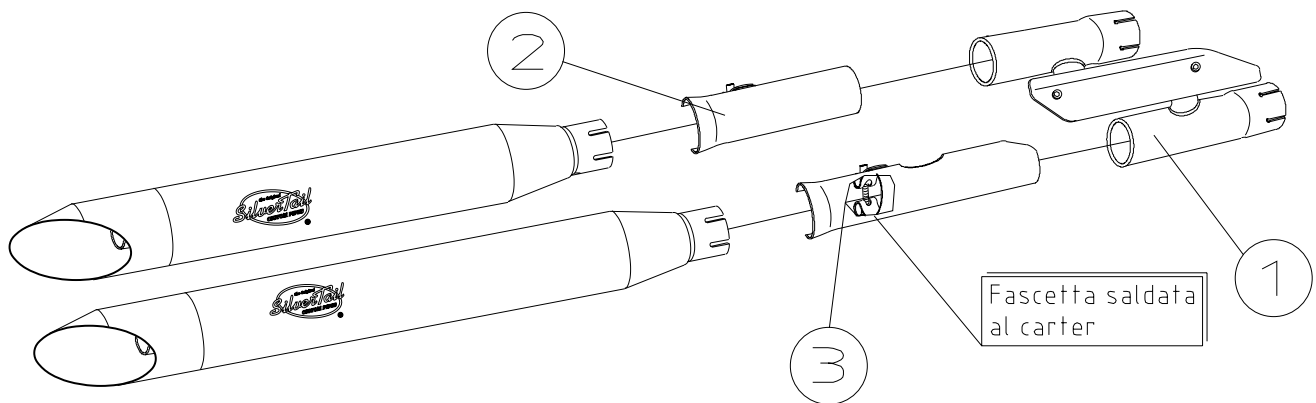


SCHEMA DI MONTAGGIO CARTER



ART. 2217 SUZUKI VZ 800 V-W MARAUDER ('97-'98)
 Silvertail <<K02>> RACING