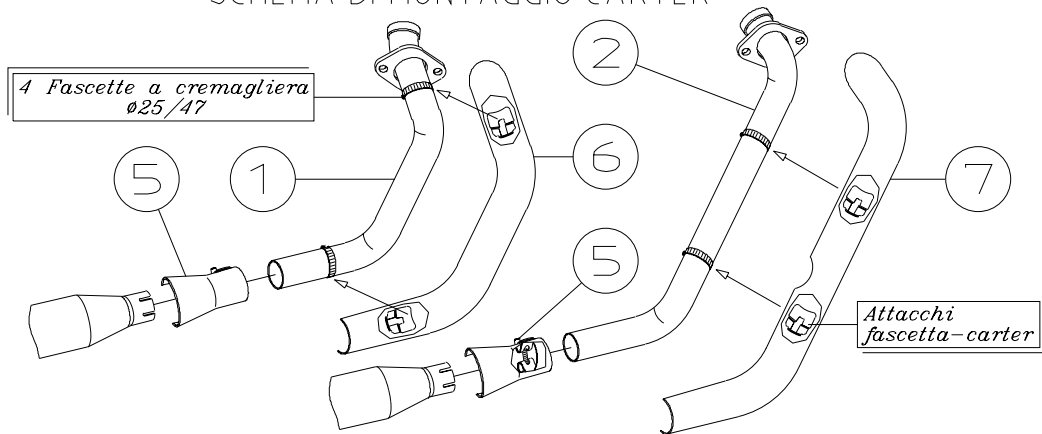


SCHEMA DI MONTAGGIO CARTER



ART.2289 HARLEY DAVIDSON FXSTB 1450 NIGHT TRAIN ('04) -
HARLEY DAVIDSON FLSTF 1450 FAT BOY ('04)

SilverTail <<K02>> RACING