

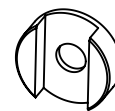


DB-Killer EVO N°52
Cod.308421801

Grower Ø5 Cod.202286

Allen screw M5X6 T.C.E.I. INOX
Cod. 201044

Don't use



Knurled collar nut M6
Cod.200333

Silencer Factory S
Carbon
Cod.308420481

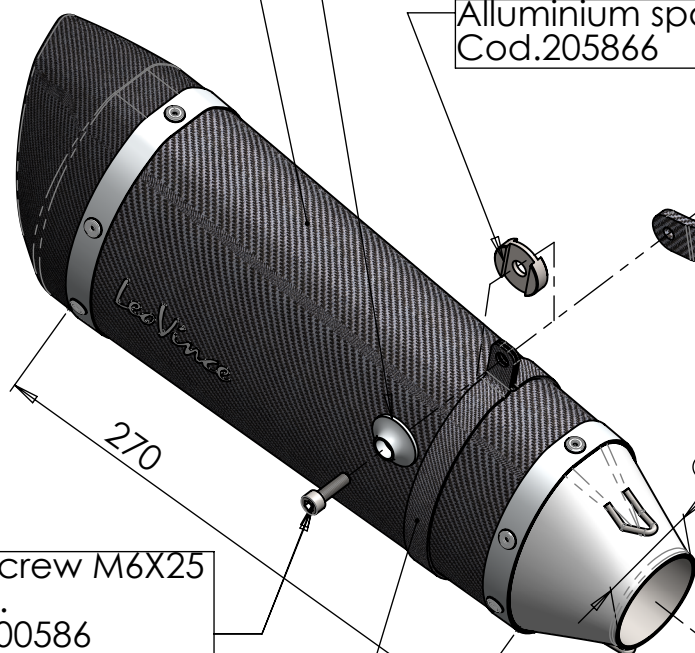
Alluminium spacer
Cod.205767

Alluminium spacer
Cod.205866

Before mounting the carbon bracket, it is necessary to eliminate the original heel guard and the original exhaust bracket; use the original bolts to fasten it to rearset.

Knurled collar nut M8
Cod.200990

Carbon Bracket
Cod.0814162001



270

Ø:1.54

Ø:0.54

Plain Washer 8x17
Cod.200294

Allen screw M8X25
T.C.Z.B.
Cod.200314

Allen screw M6X25
T.C.Z.B.
Cod.200586

Carbon Bracket FR3
Cod.308444501

Pipe N°1095
Cod.3014162201

2 Short helical spring
tensile
Cod.206003

2 Short tube in
silicon rubber
Cod.205961

2 Allen screw
M5X12 T.B.E.I. Cod.201031

2 Plain washer
5x15 Inox Cod.406580

4 Gasket
14x4.9x1.5 Cod.200371

Carbon cover
Cod.0814162001

Strap in stainless
steel Ø57
Cod.300057532

2 Mounting
plate M5 Cod.204555

Art. 14163S

YAMAHA MT10 ('16)

SLIP-ON - FACTORY S CARBON - Passaggio STANDARD