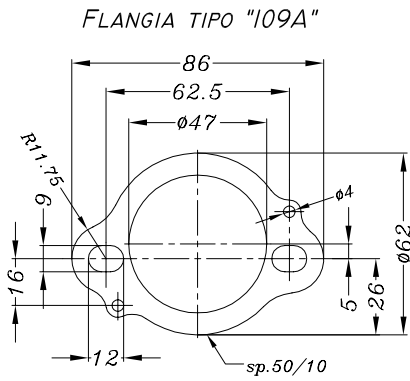
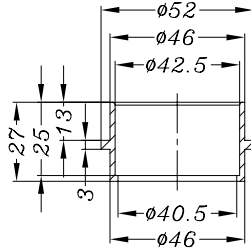


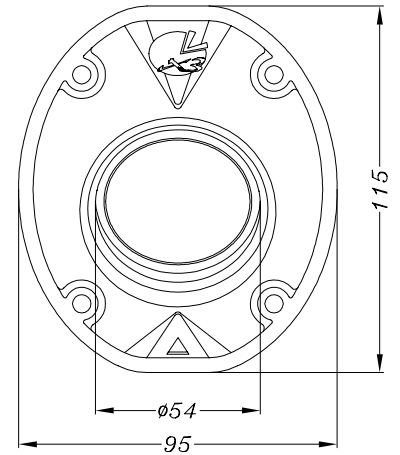
VISTA "B"



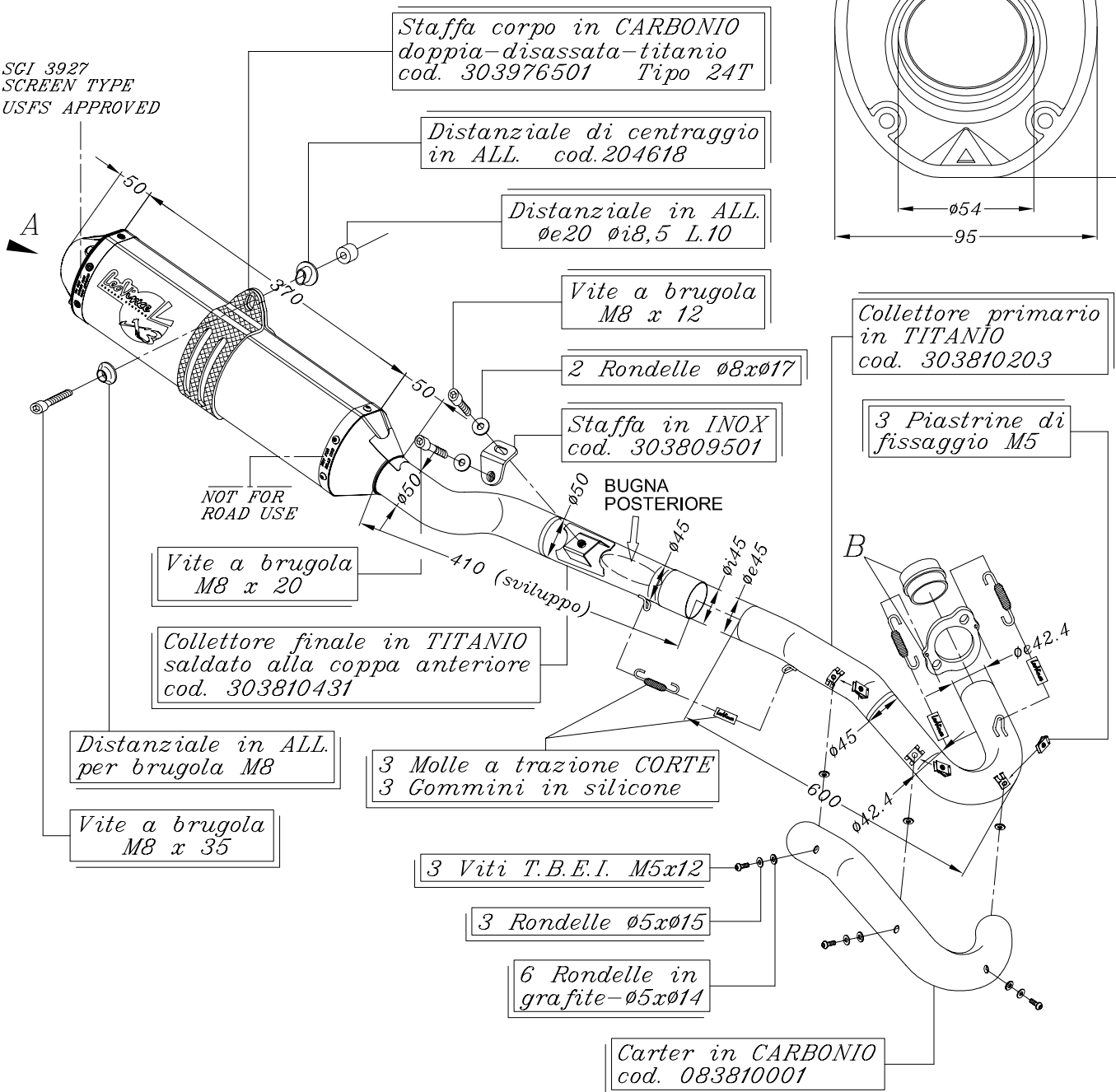
BOCCOLA
COD.204597



VISTA DA "A"



SGI 3927
SCREEN TYPE
USFS APPROVED



ART.3810 HONDA CRF 450 R ('05)

Impianto completo <<X3>> Off-road Racing - Full TITANIUM
linea "MOTOCROSS-SUPERMOTO"