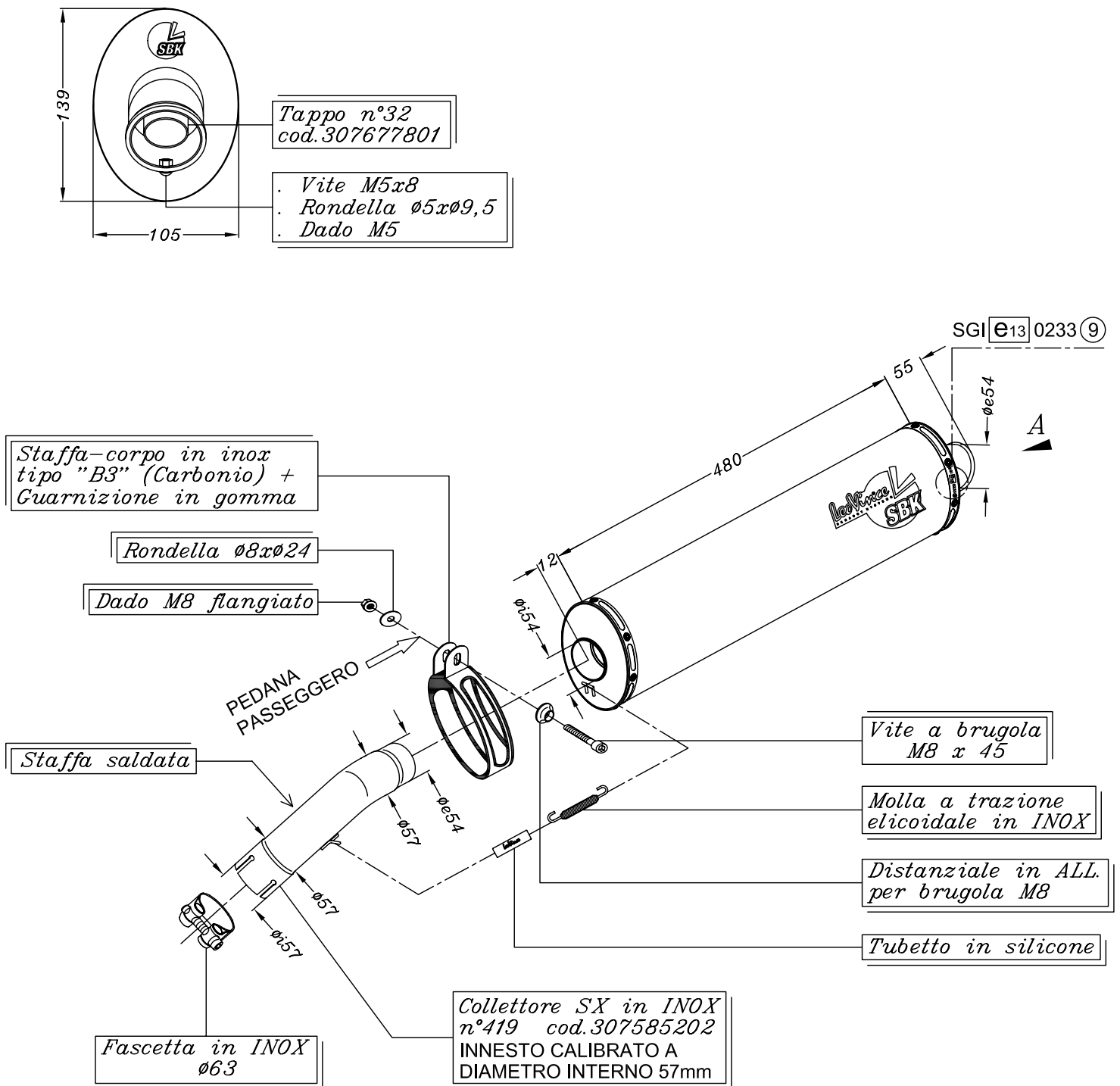


VISTA DA "A"



Art. 7585 BMW R 1200 ST ('05)
BMW R 1200 RT i.e. ('05/'06)

Slip-on SBK <<BIG>> - Ovale CARBONIO - Passaggio STANDARD
OMOLOGATO "EVOLUTION II"