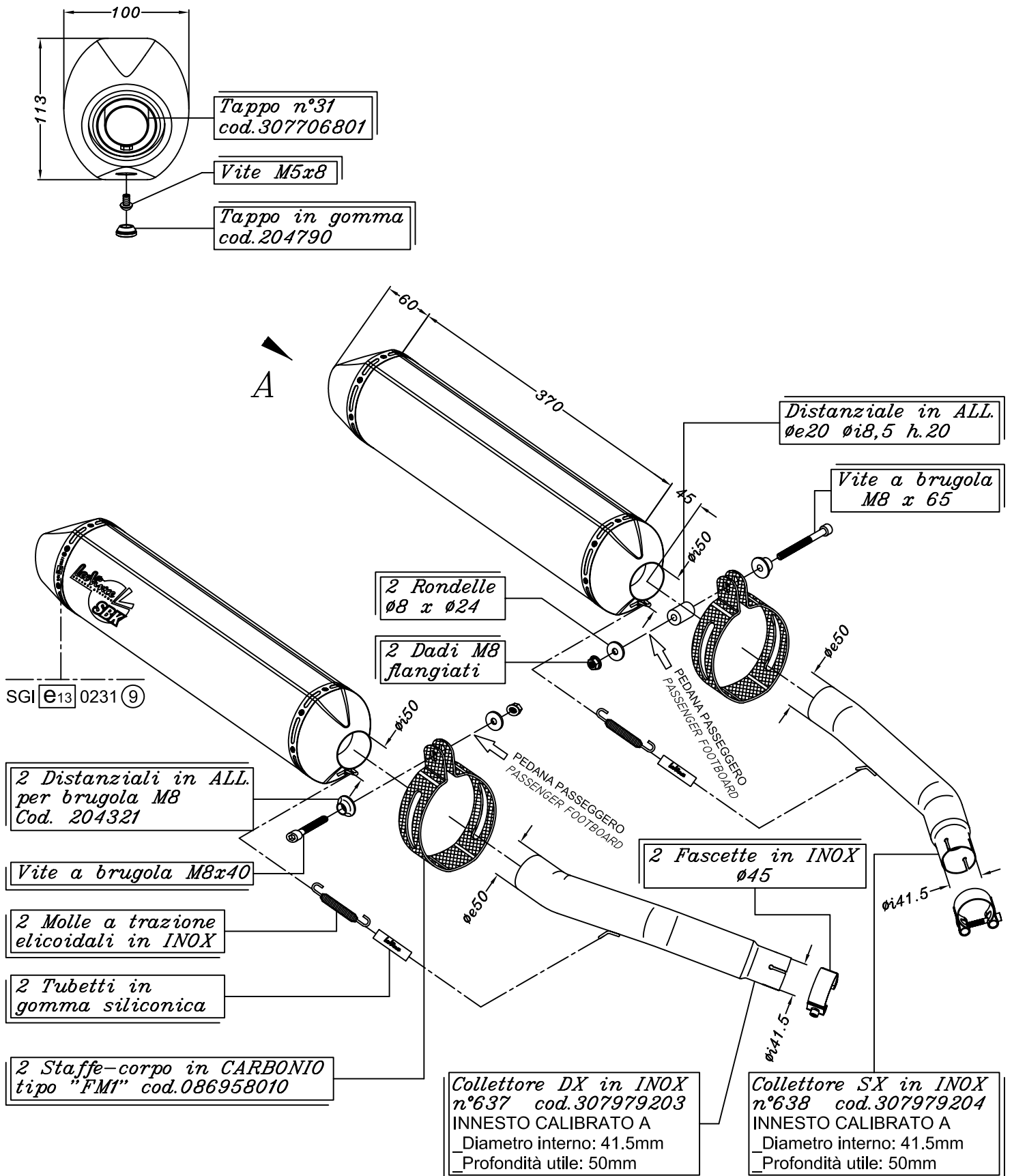


VISTA DA "A"



SUZUKI GSX-R 1300 HAYABUSA i.e. ('08)

Art. 7980 Slip-on SBK <<FACTORY>> TITANIO - Passaggio STANDARD  
OMOLOGATO "EVOLUTION II"